
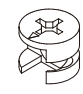




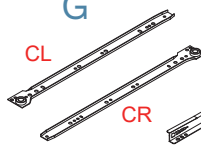
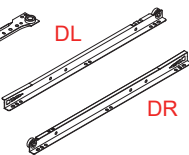


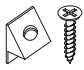


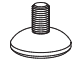


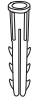
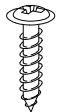

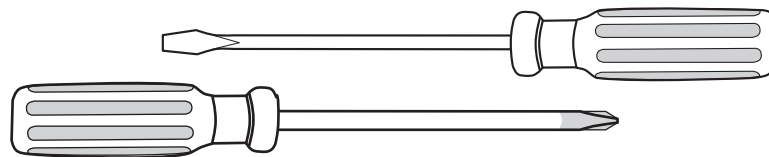
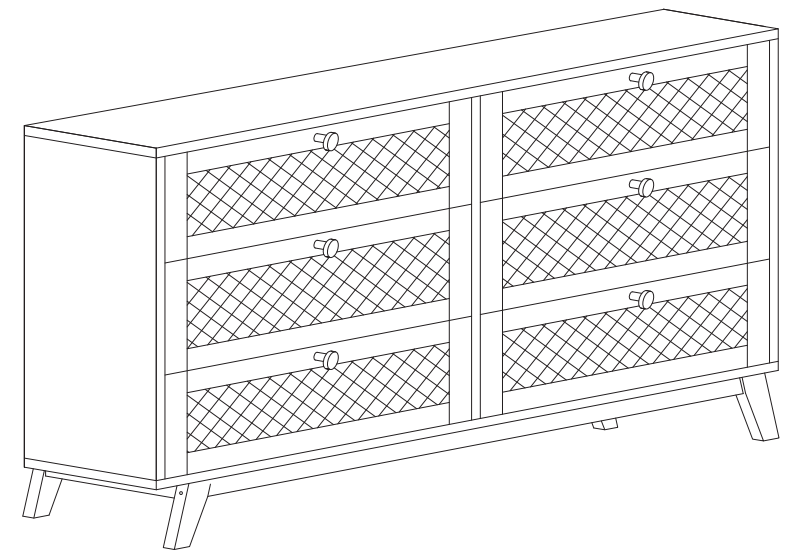


Genevieve Six Drawer

Thank you for your purchase.
Please follow the instructions below for correct assembly.

A  51 x bolt	B  51 x locking nut	C  20 x dowel	D  21 x long screw	E  60 x small screw	F  30 x medium screw
G  12 x L+R slide rail	H  12 x L+R slide rail	I  4 x handle	J  4 x small screw	K  14 x wedge	W  2 x safety strap
L  6 x handle	M  1 x long screw	N  1 x shelf plug	O  24 x cover	X  2 x wall anchor	Y  2 x screw
HARDWARE SUPPLIED					
Z  2 x washer					

WARNING: Any furniture that is not anchored to a wall has the potential to tip over in certain circumstances, i.e. if a child attempts to climb up on the furniture or in the event of an earthquake. Accordingly, we recommend that all furniture is anchored to a wall. We supply a free safety wall anchor with all furniture sold and we recommend these are used to prevent your product tipping. The fixing device provided should fit most wall types, but please note that different wall materials may require different fixing devices from those supplied.

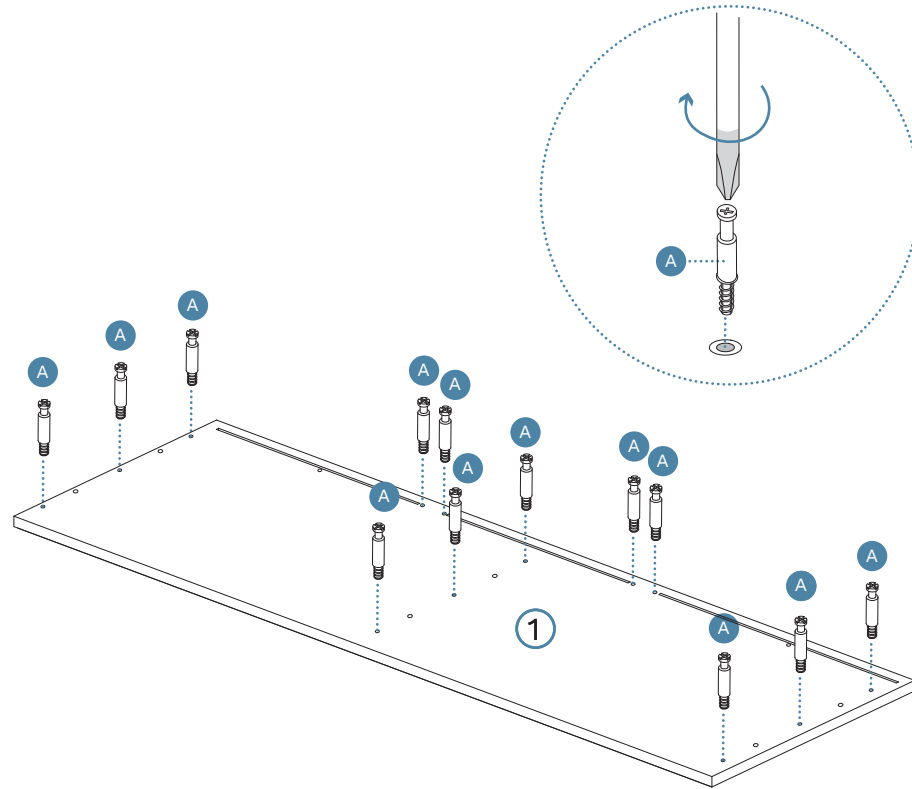


Phillips & Flathead screwdrivers and hammer required

*We recommend using a Flathead screwdriver to tighten all locking nuts 100% before first use.

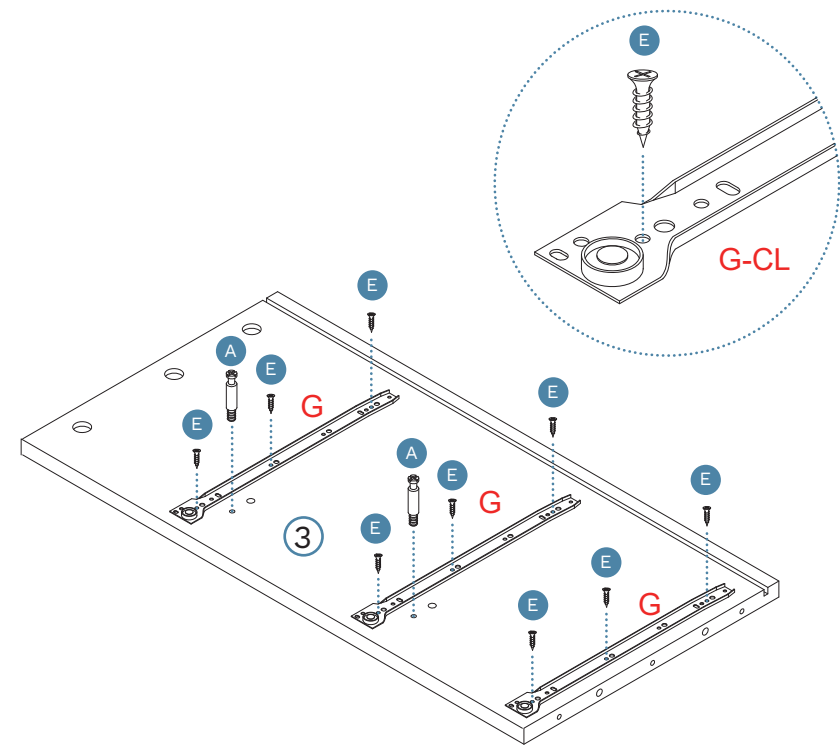
Genevieve Six Drawer

1



Insert 13 x bolts (A) into panel [1]. Tighten with a screwdriver.

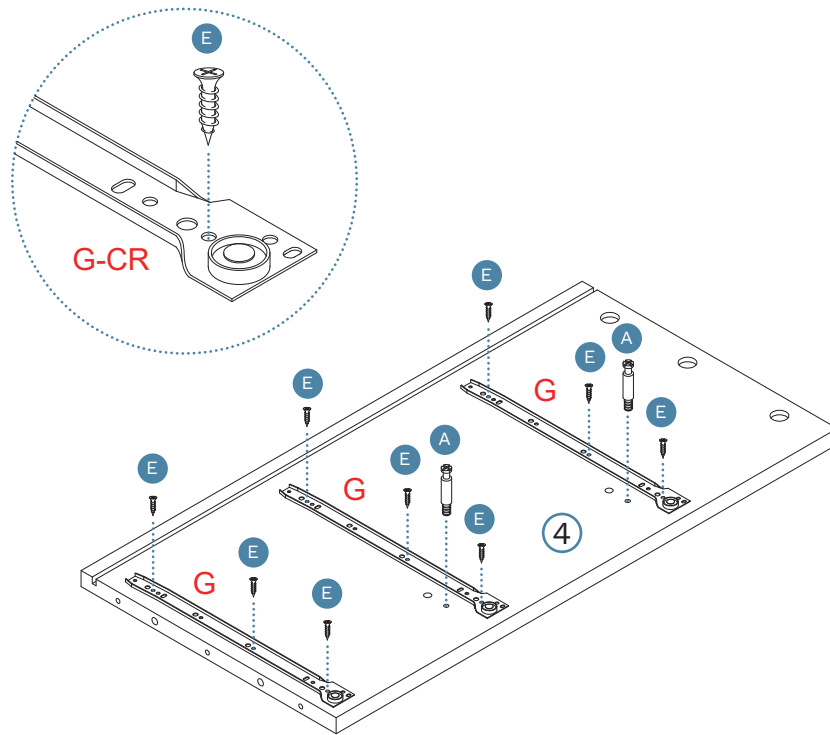
2



Attach 3 x left slide rails (G) to panel [3] and secure with 9 x small screws (E).
Insert 2 x bolts (A) into panel [3]. Tighten with a screwdriver.

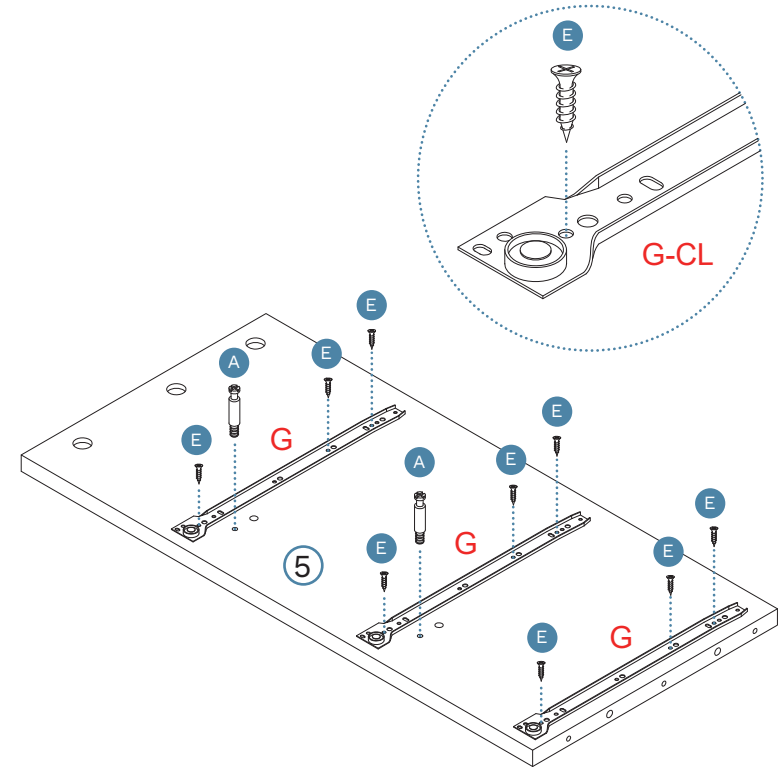
Genevieve Six Drawer

3



Attach 3 x right slide rails (G) to panel [4] and secure with 9 x small screws (E). Insert 2 x bolts (A) into panel [4]. Tighten with a screwdriver.

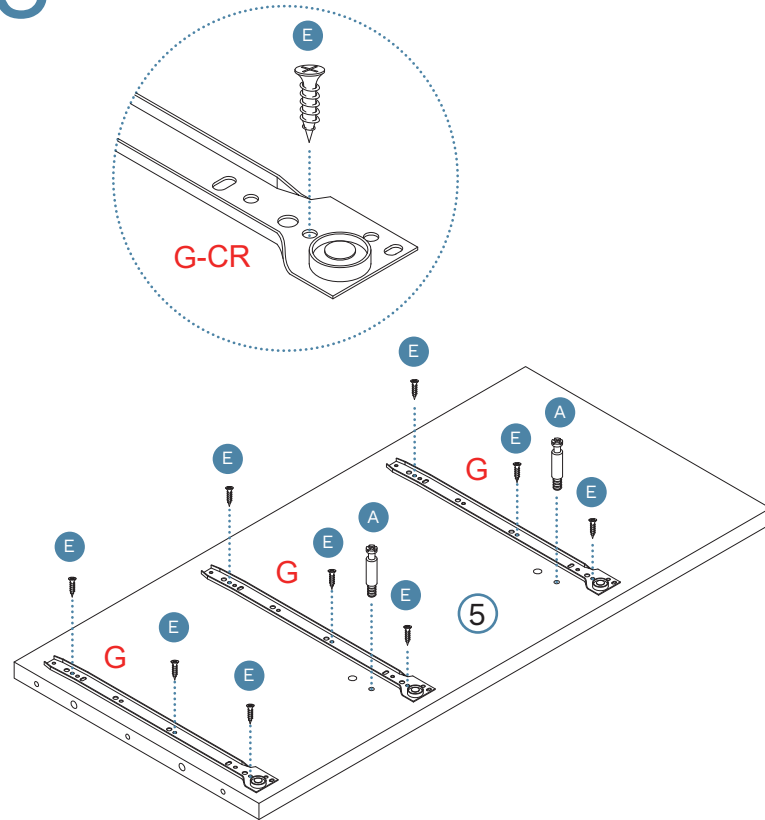
4



Attach 3 x left slide rails (G) to panel [5] and secure with 9 x small screws (E). Insert 2 x bolts (A) into panel [5]. Tighten with a screwdriver.

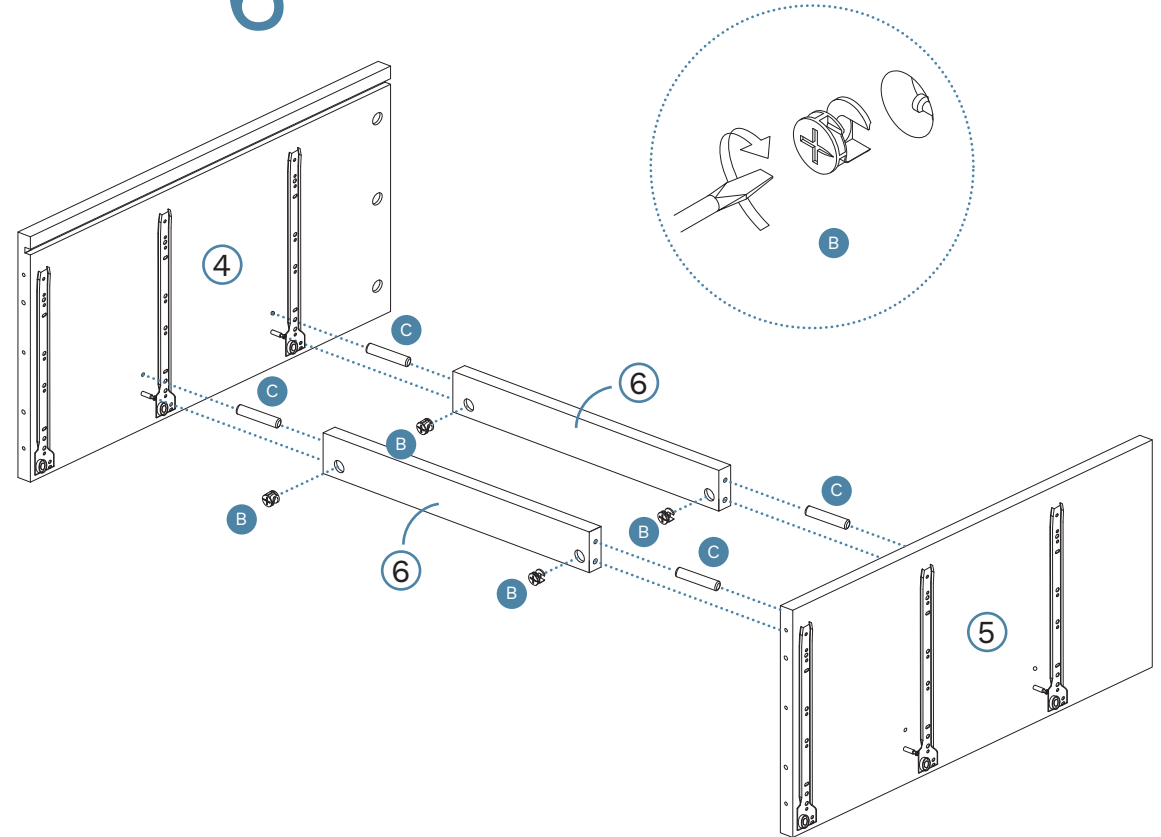
Genevieve Six Drawer

5



Attach 3 x right slide rails (G) to panel [5] and secure with 9 x small screws (E). Insert 2 x bolts (A) into panel [5]. Tighten with a screwdriver.

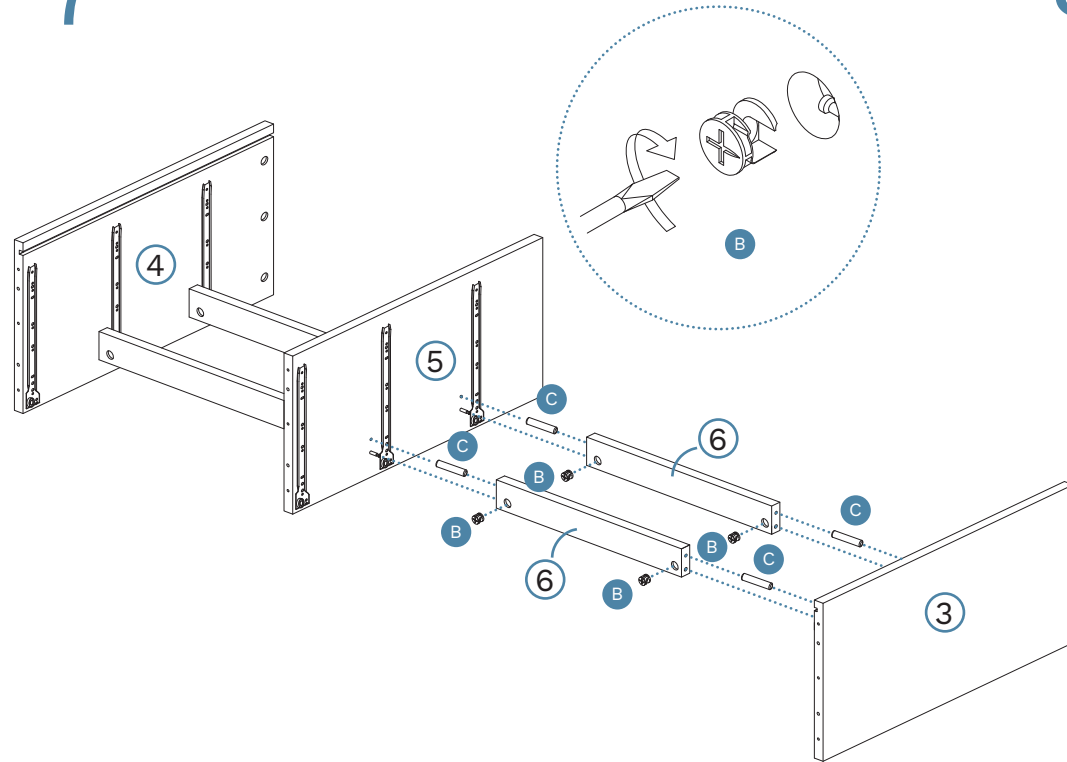
6



Insert 4 x dowels (C) to panels [4], [5] and [6]. Attach panels [4] and [5] to panels [6] and secure with 4 x locking nuts (B). Tighten with a screwdriver.

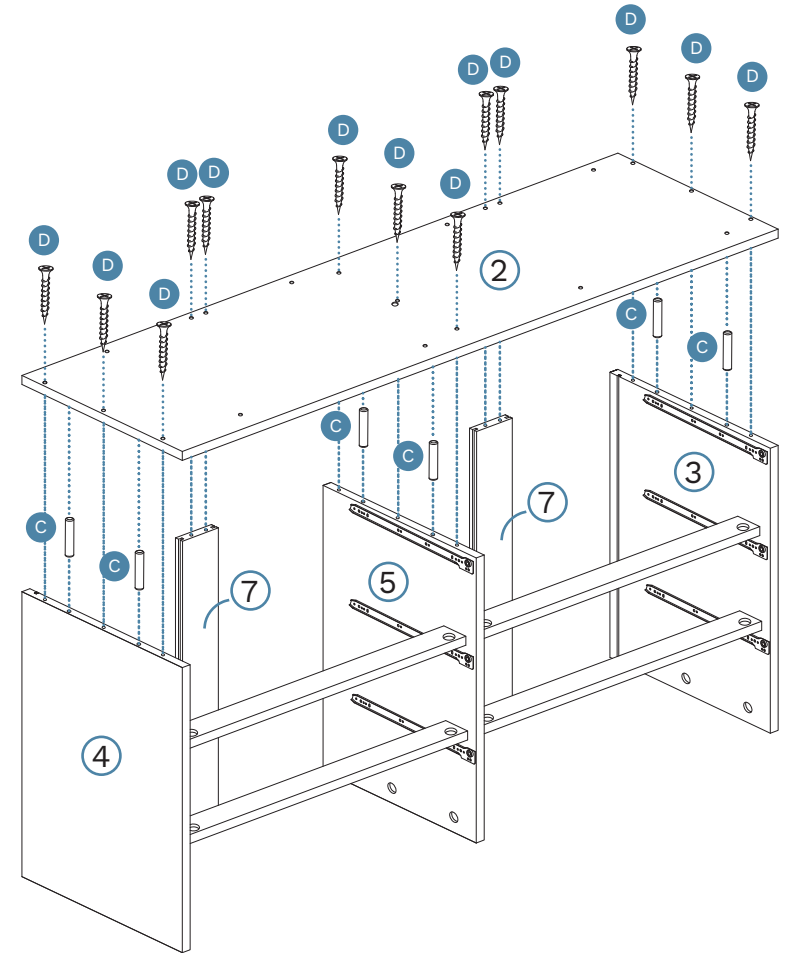
Genevieve Six Drawer

7



Insert 4 x dowels (C) to panels [3], [5] and [6]. Attach panels [3] and [5] to panels [6] and secure with 4 x locking nuts (B). Tighten with a screwdriver.

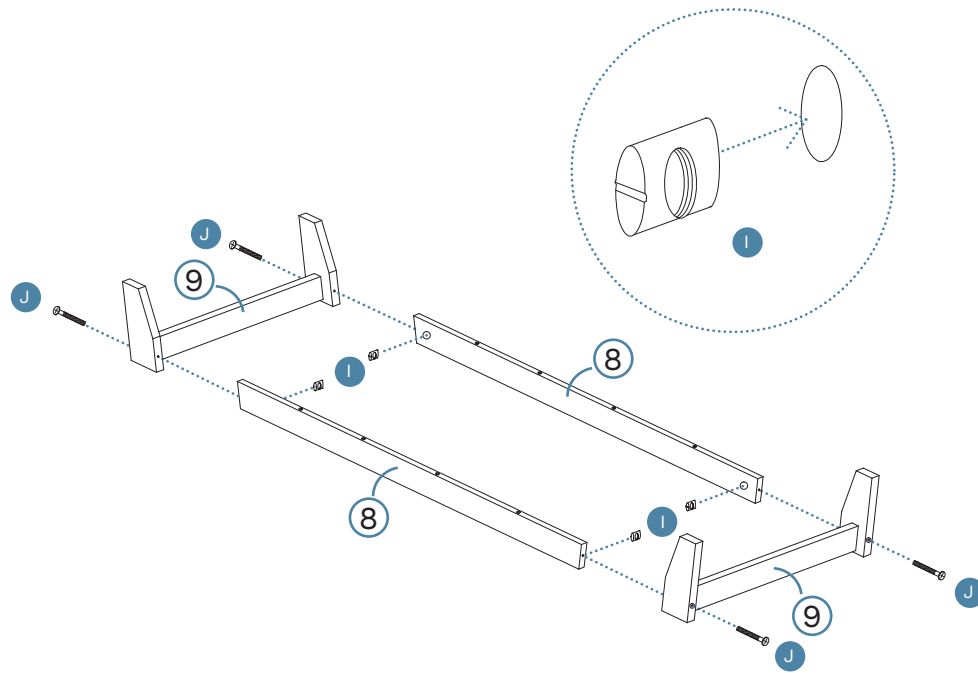
8



Insert 6 x dowels (C) into panels [3] and [4]. Attach panel [2] to panels [3] and [4], securing with 13 x long screws (D).

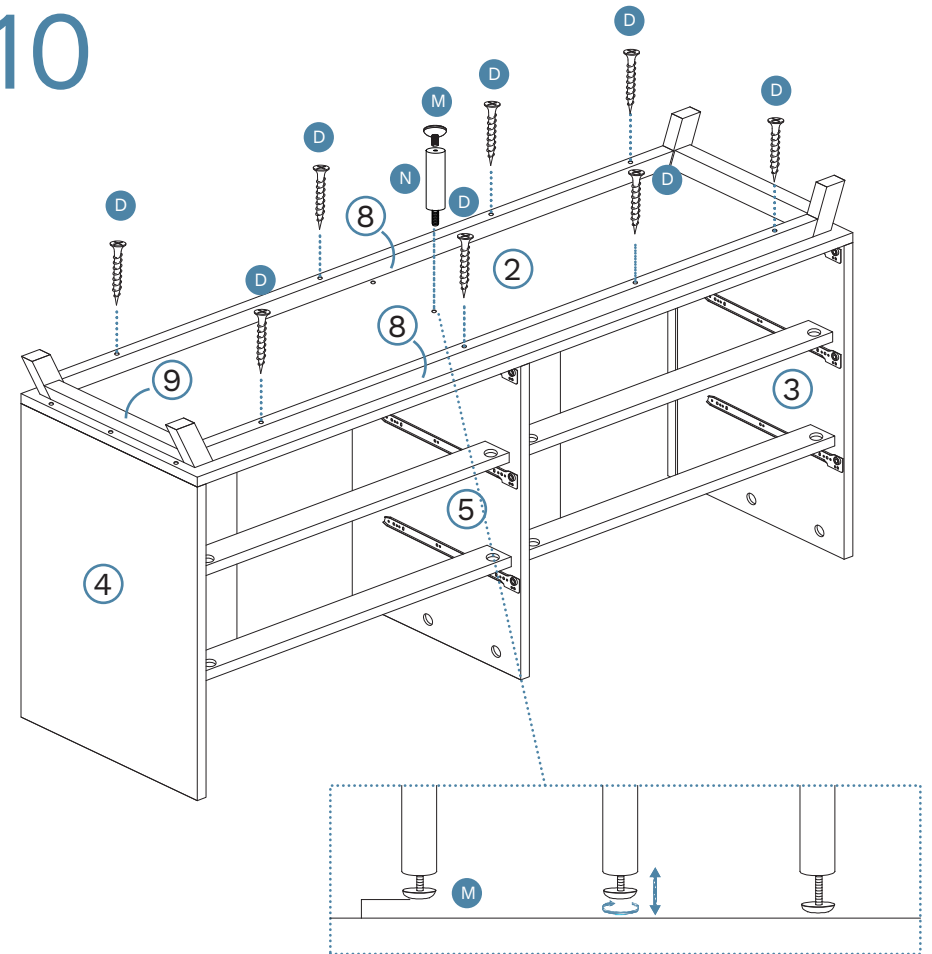
Genevieve Six Drawer

9



Insert 4 x nuts (I) into panels [8]. Attach panels [8] to panels [9] and secure with 4 xscrews (J). Tighten with a screwdriver.

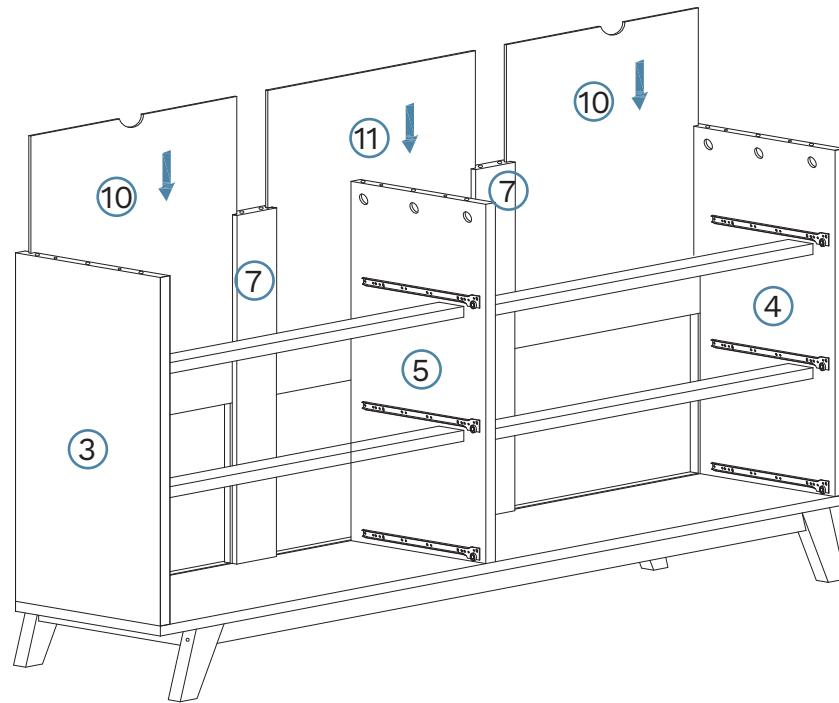
10



Attach panels [8] and [9] to panel [2] and secure with 8 x long screws (D). Attach 1 x long screw (M) to centre support (N) as shown. Tighten with a screwdriver.

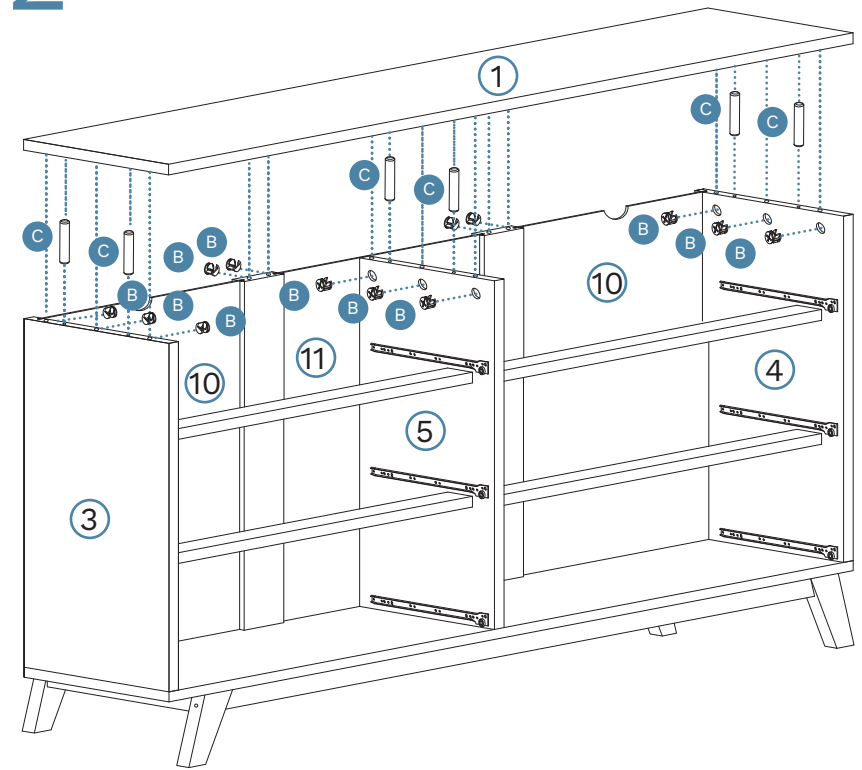
Genevieve Six Drawer

11



Slide panels [10] and [11] between the grooves on panels [3], [4], [5] and [7] to form the back of the unit as shown.

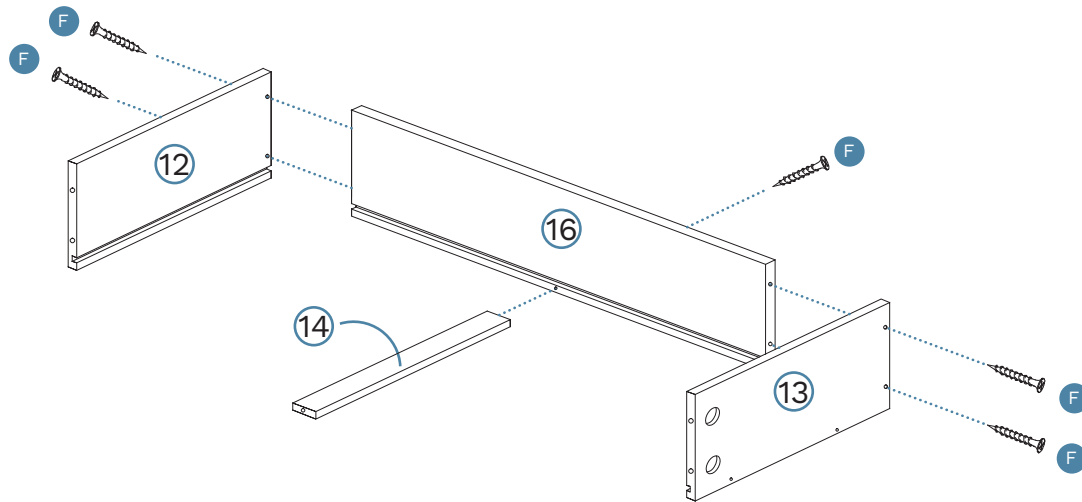
12



Insert 6 x dowels (C) into panel [3], [4] and [5]. Attach panel [1] to panels [3], [4] and [5], secure with 13 x locking nuts (B). Tighten with a screwdriver.

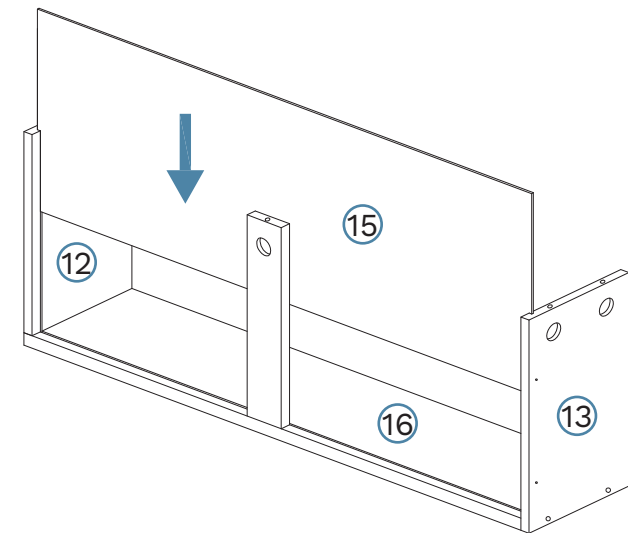
Genevieve Six Drawer

13 Drawers x 6



Attach panels [12], [13] and [14] to panels [16], secure with 30 x medium screws (F). Tighten with a screwdriver.

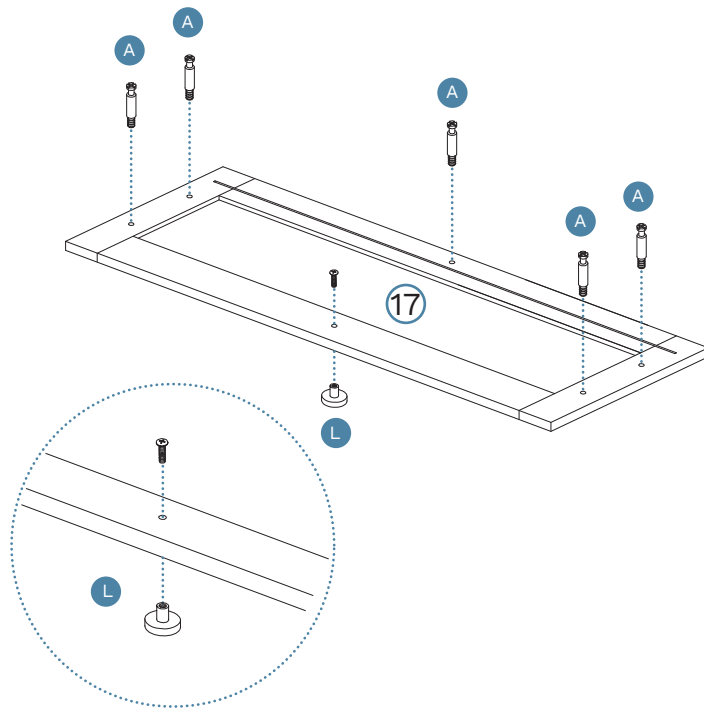
14 Drawers x 6



Slide panels [15] between the grooves on panels [12], [13] and [16] to form the base of the drawer as shown.

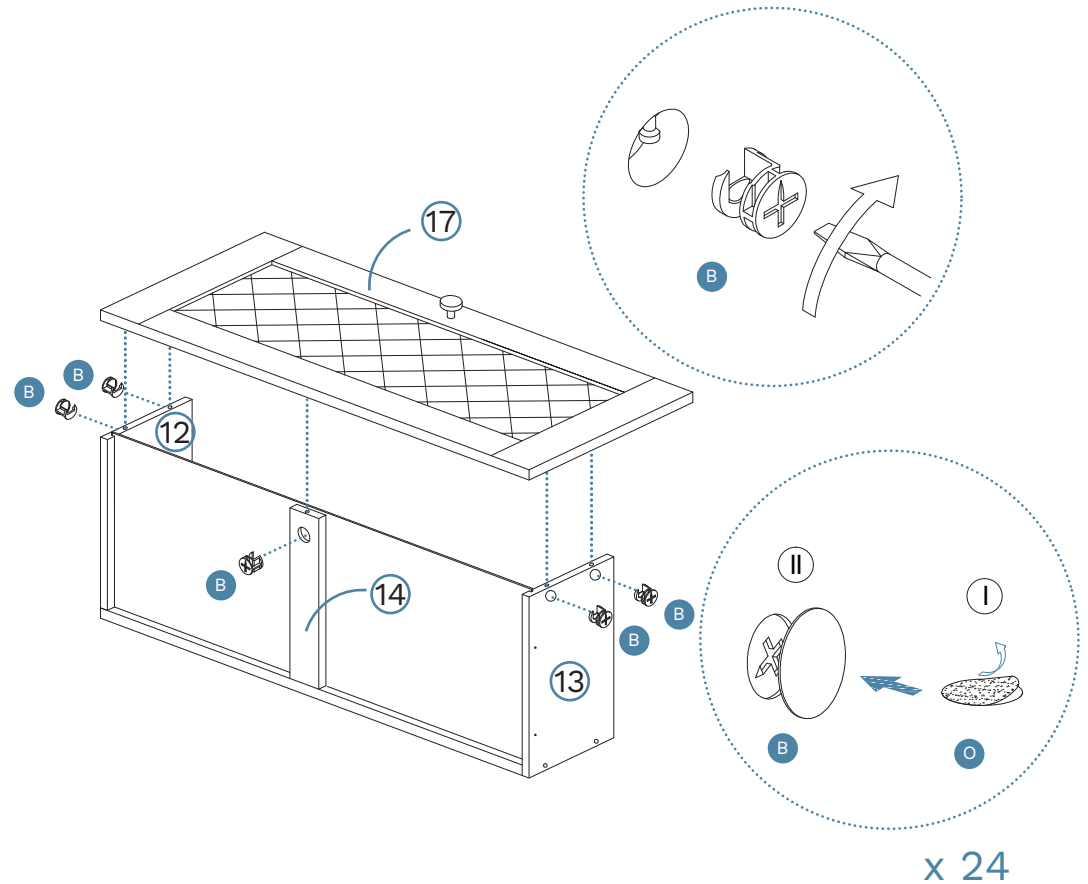
Genevieve Six Drawer

15 Drawers x 6



Attach 30 x bolts (A) into panels [17]. Insert 6 x handles (L) into panels [17]. Tighten with a screwdriver.

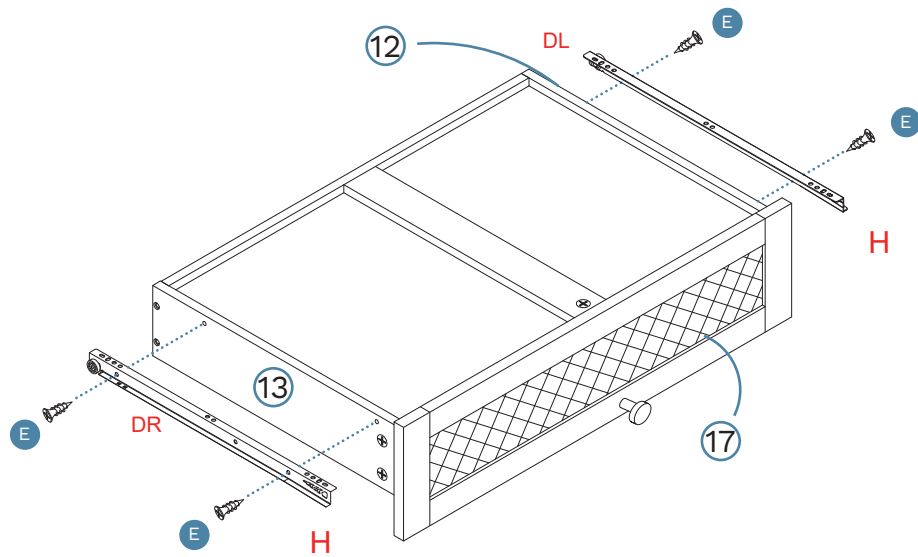
16 Drawers x 6



Attach panels [17] to panels [12], [13] and [14], secure with 30 x locking nuts (B). Cover locking nuts (B) with 24 covers (O). Tighten with a screwdriver.

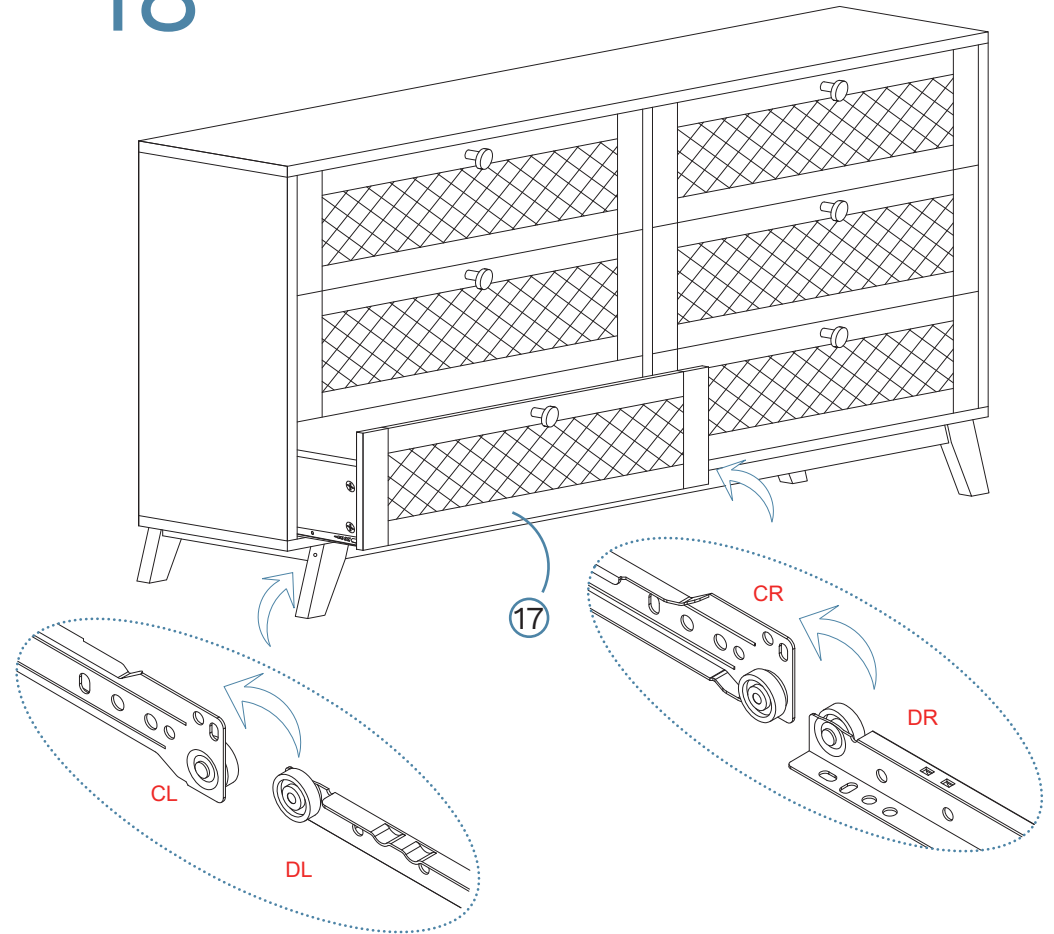
Genevieve Six Drawer

17 Drawers x 6



Attach 12 x slide rails (H) to panels [12] and [13], secure with 24 x small screws (E). Tighten with a screwdriver.

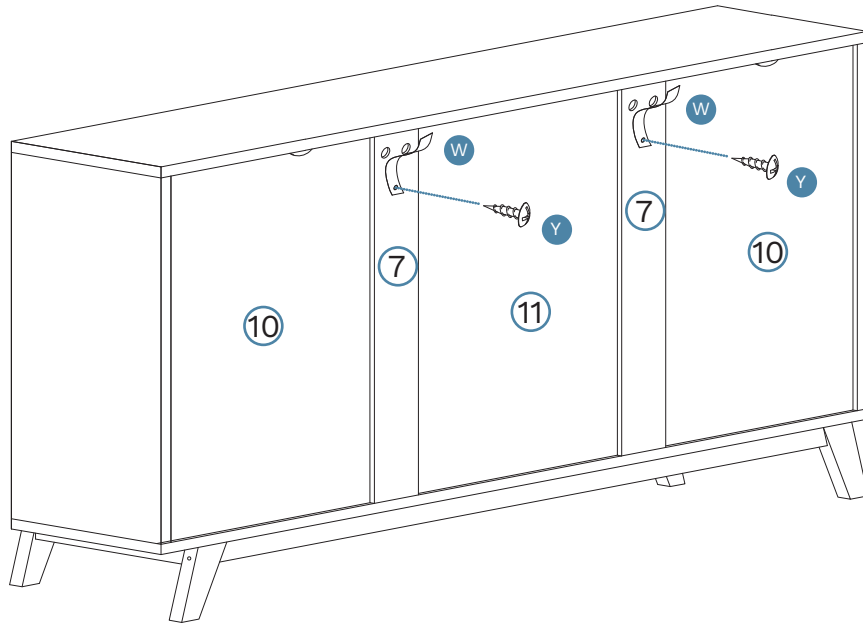
18



Slide drawers x 6 between the grooves on panels [3], [4] and [5] to form the back of the unit as shown.

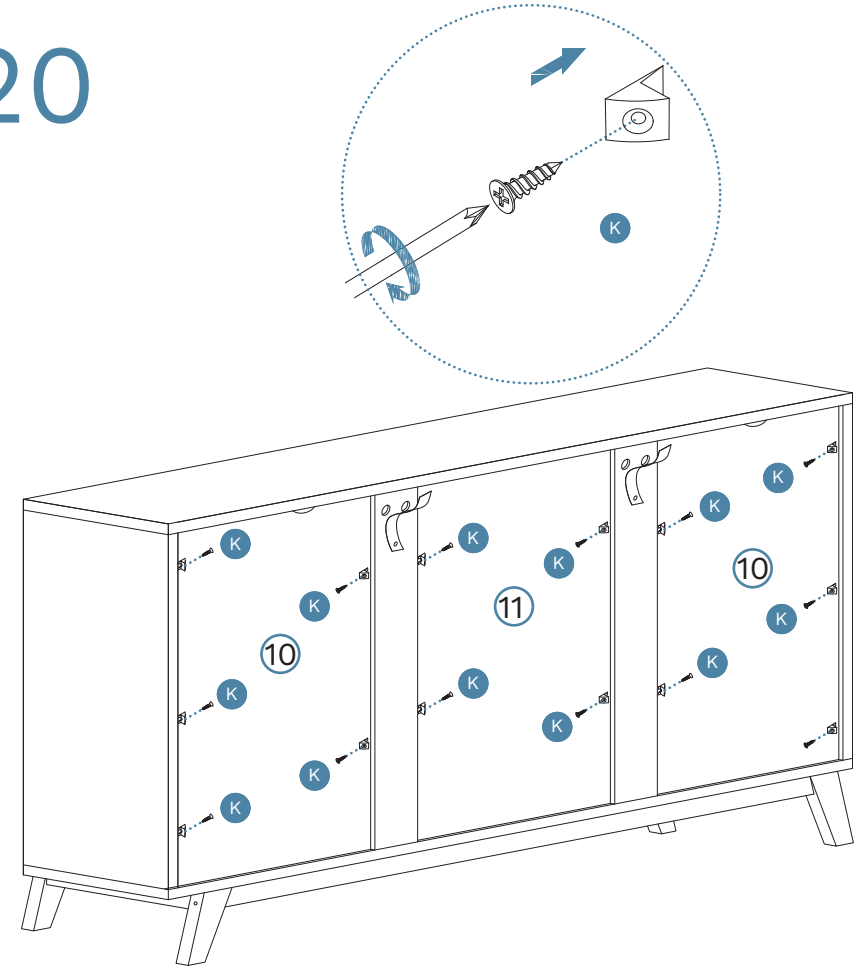
Genevieve Six Drawer

19



Attach 2 x wall straps (W) to panels [7] using 2 x screws (Y). Tighten with a screwdriver.

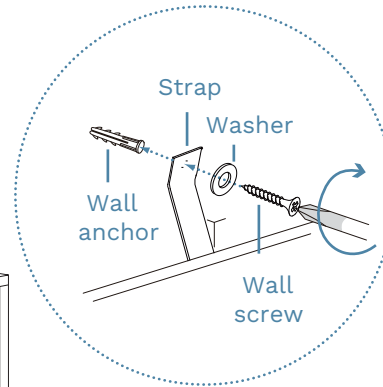
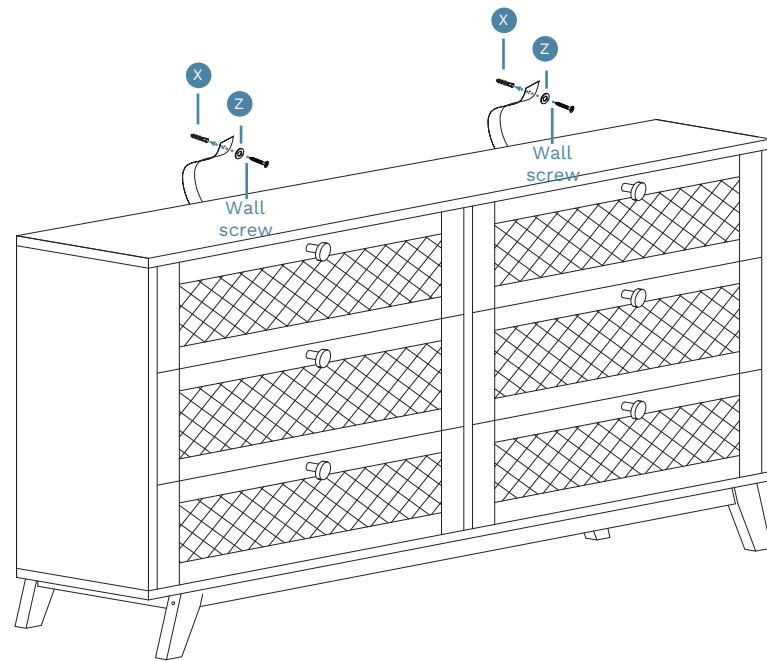
20



Attach 14 x wedges (K) to panels [10] and [11]. Tighten with a screwdriver.

Genevieve Six Drawer

21



Once assembled lift furniture into place, do not drag. Use a drill to create a small hole lining up with the top of the safety strap (W). Fasten to wall using wall anchor (X), washer (Z) and screw. Ensure the unit is balanced and steady before use. You're done, enjoy!